

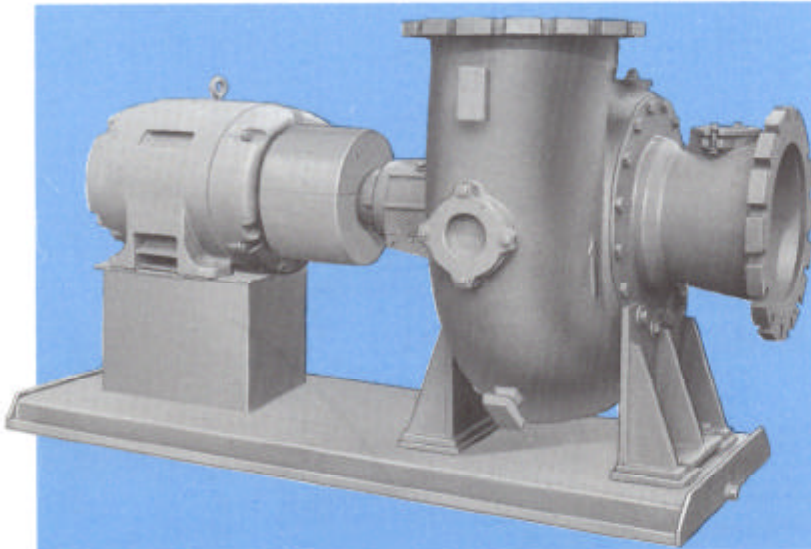
A-C Pump



SOUTHERN PUMPS
SOUTH AFRICA (PTY) LTD

Wastewater Pumps Horizontal-Mixed Flow Type NSY Model 100 and 150

Single stage - enclosed mixed flow type impeller for pumping wastewater and other non-corrosive liquids with soft solids.



Model 100 — Bare Pump
Model 150 — Pump Base and Coupling

ITT A-C Pump Type NSY pumps are designed to handle wastewater and other non-corrosive liquids with soft solids in suspension. Typical applications are: municipal water and wastewater, industrial wastewater treatment and food processing.

The NSY Model 100 and 150 designs offer outstanding advantages:

- **Standardized design** — Maximum interchangeability of parts help reduce spare parts inventory. All parts except the casing suction cover and impeller are completely interchangeable within a given frame group. Seven pump sizes are built on only four power frames.
- **Rear pull-out design** — The complete rotating element can be removed from the pump without disturbing the suction or discharge piping. Fewer crafts are required to service the pump.
- **Tapered Shaft** — The impeller and shaft are designed with a taper to allow for ease of maintenance and great reliability.

Cape Town (Head Office)

Physical Address :
48 Marconi Road
Montague Gardens
7441

Postal Address :
P.O.Box 519
Milnerton
Cape Town
7435

Telephone : (+27) 21 551-2490
Fax : (+27) 21 551-3088 / 551-5346
E-mail : info@southernpumps.co.za

- **Impeller Nut** — A well contoured nut is provided that helps to prevent material from hanging up. A set screw locks the nut in place.

- **Flexibility** — Either clockwise or counterclockwise rotation can be supplied. Discharge nozzle can be arranged in any one of five positions for either rotation to suit the piping arrangement.

- **Engineered for Dependability** — Two vane non-clog impellers with smooth water passages capable of passing soft solids.

- **Maximum Shaft and Bearing Life** — Large diameter shafts minimize deflection and increase packing life.

Bearings are selected in accordance with the Anti-Friction Bearing Manufacturers Association (AFBMA) to provide for maximum life expectancy.

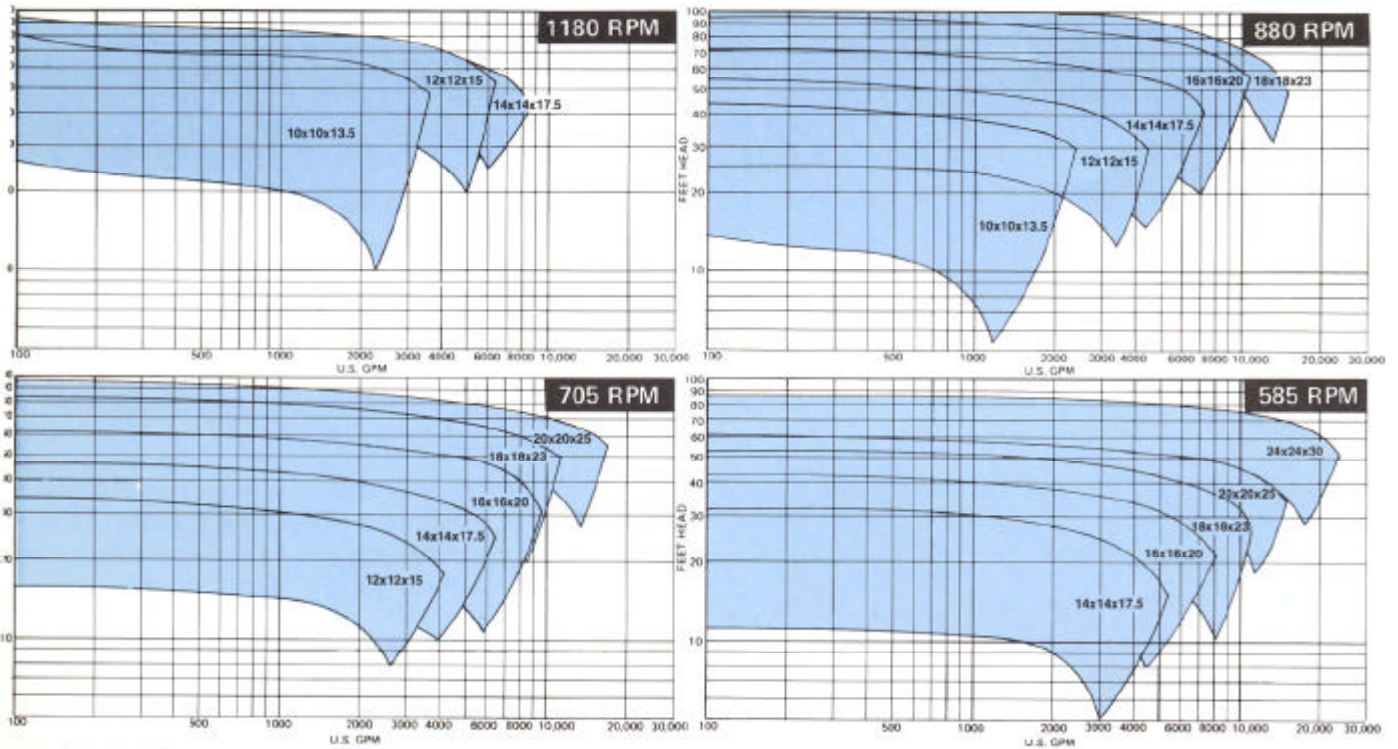
- **Simple impeller adjustment** — Axial clearance between the impeller and suction cover is controlled by adding or removing shims between the outboard bearing cartridge and the frame.

- **High Operating Efficiency** — Standard with replacement stainless steel impeller wear ring and suction cover wear plate.

- **Coupling guards** — Enclosed type which meets ANSI B-14.1 specification.

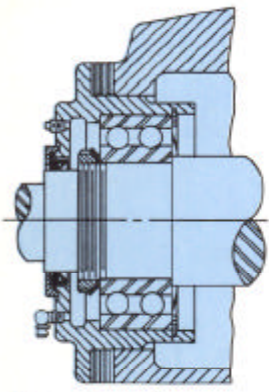
- **Dynamic Seal** — Available for all sizes.

Type NSY MODEL 100 and 150 — RANGE CHARTS

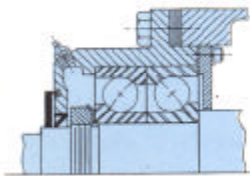


If further information is required for speeds 505 rpm, 440 rpm or 390 rpm, contact your nearest ITT A-C Pump representative.

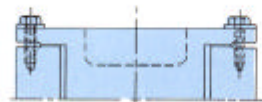
Type NSY MODEL 100 and 150 — PARTS AND MATERIALS



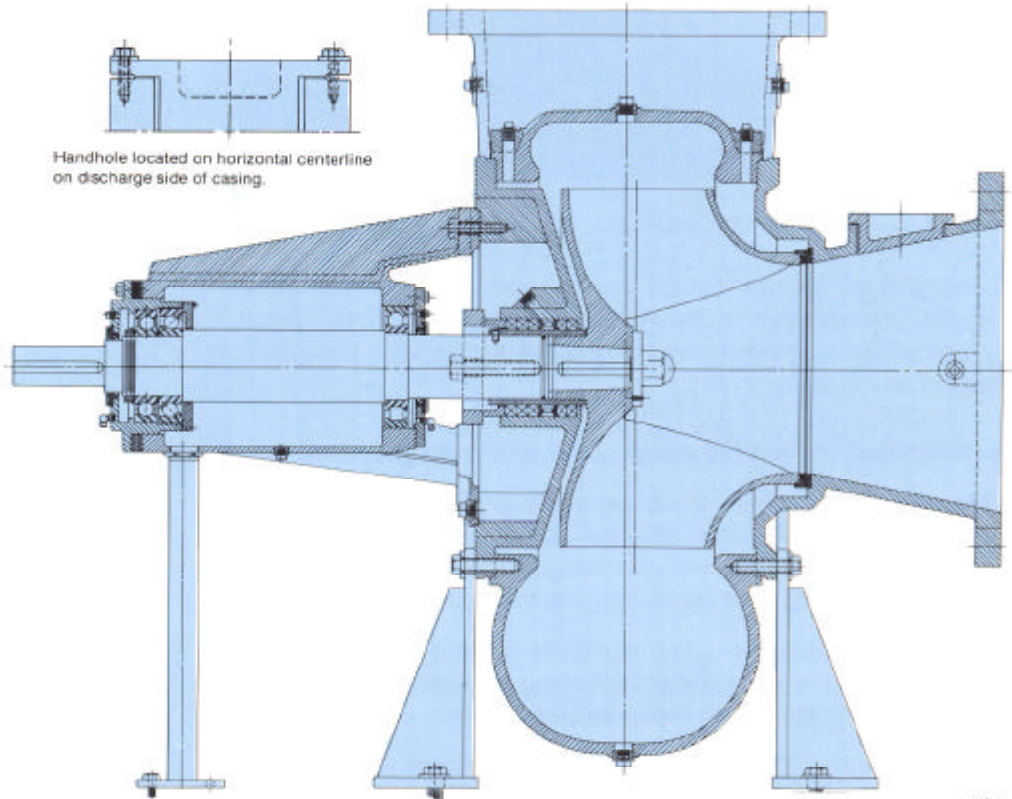
Outboard Bearing Arrangement for Frame F8-G2. Double Row Bearing 18x18x23 NSY and 20x20x25 NSY.



Bearing arrangement duplex "DB" mounting F8-H2



Handhole located on horizontal centerline on discharge side of casing.





SOUTHERN PUMPS
SOUTH AFRICA (PTY) LTD

Wastewater Pumps

Vertical - Mixed Flow

Type NSYV

Model 200 and 250

Single stage - enclosed mixed flow type impeller for pumping wastewater and other non-corrosive liquids with soft solids.



Model 200 — Bare Pump
Model 250 — Pump, Shafting and Ring Base

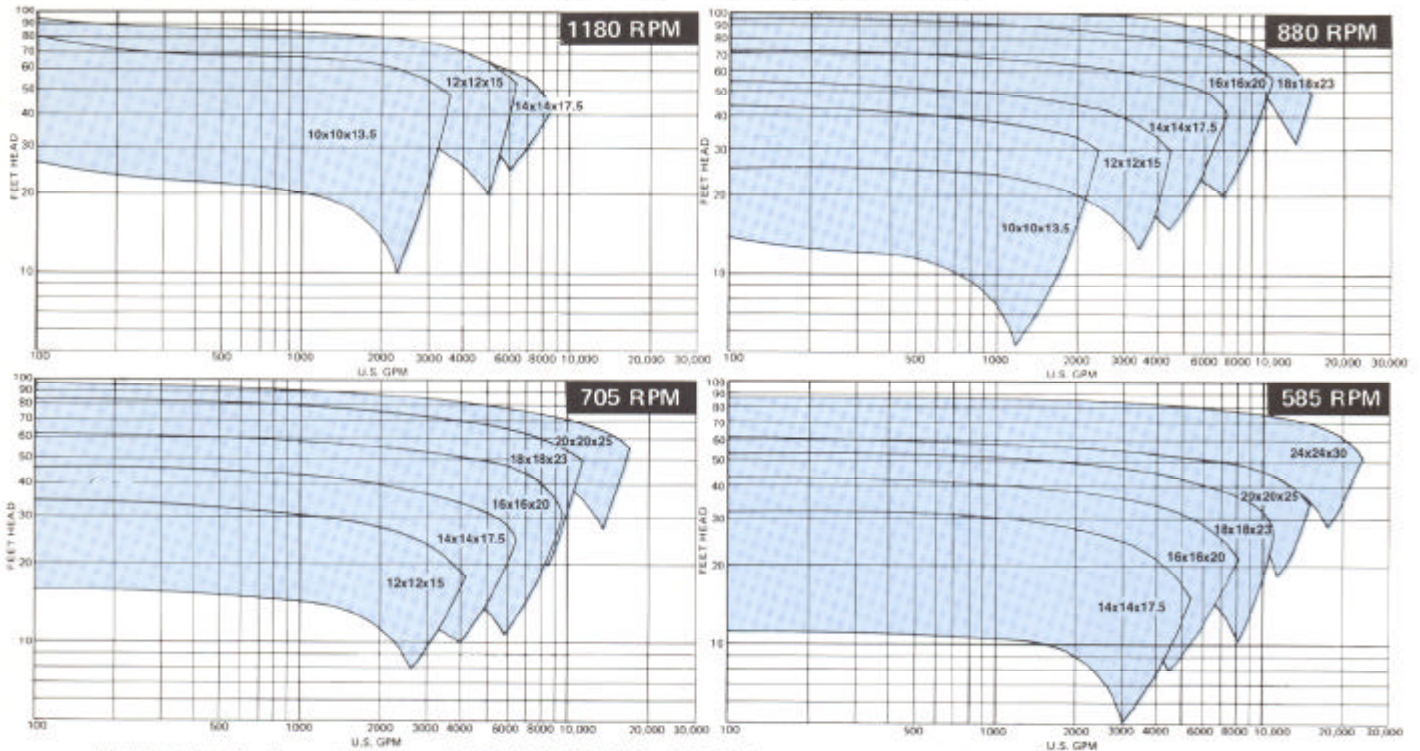
ITT A-C Pump Type NSYV are designed to handle wastewater and other non-corrosive liquids with soft solids in suspension. Typical applications are: municipal water and wastewater, industrial wastewater treatment and food processing.

The NSYV Models 200 and 250 designs offer outstanding advantages:

- **Standardized design** — Maximum interchangeability of parts help reduce spare parts inventory. All parts except the casing, suction cover and impeller are completely interchangeable within a given frame group. Seven pump sizes are built on only four power frames.
- **Rear pull-out design** — The complete rotating element can be removed from the pump without disturbing the suction or discharge piping. Fewer crafts are required to service the pump.
- **Tapered Shaft** — The impeller and shaft are designed with a taper to allow for ease of maintenance.
- **Impeller Nut** — A well contoured nut is provided that helps to prevent material from hanging up. A set screw locks the nut in place.
- **Flexibility** — Either clockwise or counterclockwise rotation can be supplied. Discharge nozzle can be arranged in any one of eight positions for either rotation to suit the piping arrangement.
- **Engineered for Dependability** — Two vane non-clog impellers with smooth water passages capable of passing soft solids.
- **Maximum Shaft and Bearing Life** — Large diameter shafts minimize deflection and increase packing life.

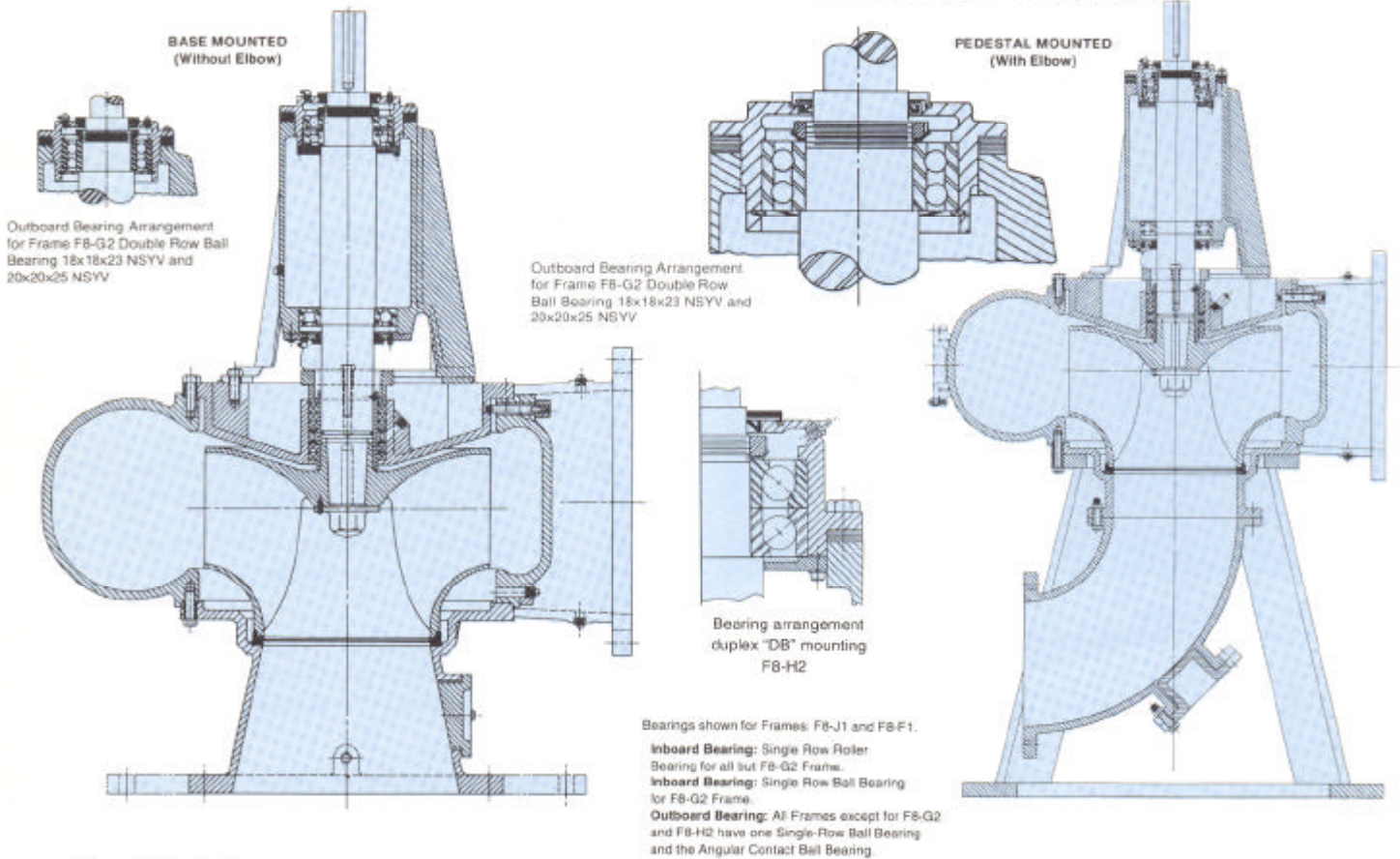
Bearings are selected in accordance with the Anti-Friction Bearing Manufacturers Association (AFBMA) to provide for maximum life expectancy.
- **Simple impeller adjustment** — Axial clearance between the impeller and suction cover is controlled by adding or removing shims between the outboard bearing cartridge and the frame.
- **High Operating Efficiency** — Standard with replaceable stainless steel impeller wear ring and suction cover wear plate.

TYPE NSYV MODEL 200 AND 250 — RANGE CHARTS



If further information is required for speeds 505 RPM, 440 RPM or 390 RPM, contact your nearest ITT A-C Pump representative.

TYPE NSYV MODEL 200 and 250 — TYPICAL CROSS SECTIONS





SOUTHERN PUMPS
SOUTH AFRICA (PTY) LTD

Wastewater Pumps

Vertical - Mixed Flow

Type NSYV

Model 300

Single stage - enclosed mixed flow type impeller for pumping wastewater and other non-corrosive liquids with soft solids.

The NSYV Model 300 designs offer outstanding advantages:

- **Standardized design** — Maximum interchangeability of parts help reduce spare parts inventory. All parts except the casing, suction cover and impeller are completely interchangeable within a given frame group. Seven pump sizes are built on only four power frames.
- **Rear pull-out design** — The complete rotating element can be removed from the pump without disturbing the suction or discharge piping. Fewer crafts are required to service the pump.
- **Tapered Shaft** — The impeller and shaft are designed with a taper to allow for ease of maintenance.
- **Impeller Nut** — A well contoured nut is provided that helps to prevent material from hanging up. A set screw locks the nut in place.
- **Flexibility** — Either clockwise or counterclockwise rotation can be supplied. Discharge nozzle can be arranged in any one of eight positions for either rotation to suite the piping arrangement.
- **Engineered for Dependability** — Two vane non-clog impellers with smooth water passages capable of passing soft solids.
- **Maximum Shaft and Bearing Life** — Large diameter shafts minimize deflection and increase packing life.

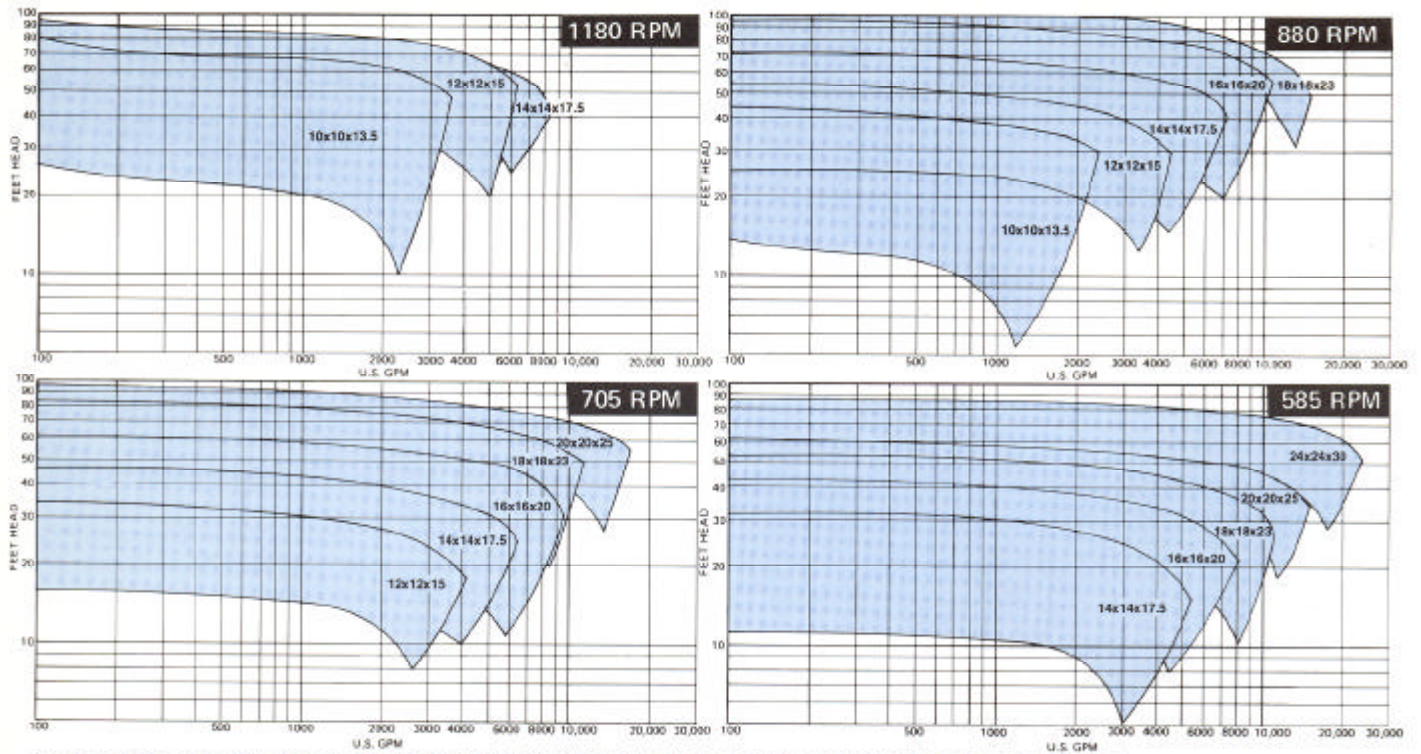
Bearings are selected in accordance with the Anti-Friction Bearing Manufacturers Association (AFBMA) to provide for maximum life expectancy.
- **Simple impeller adjustment** — Axial clearance between the impeller and suction cover is controlled by adding or removing shims between the outboard bearing cartridge and the frame.
- **High Operating Efficiency** — Standard with replaceable stainless steel impeller wear ring and suction cover wear plate.



Model 300

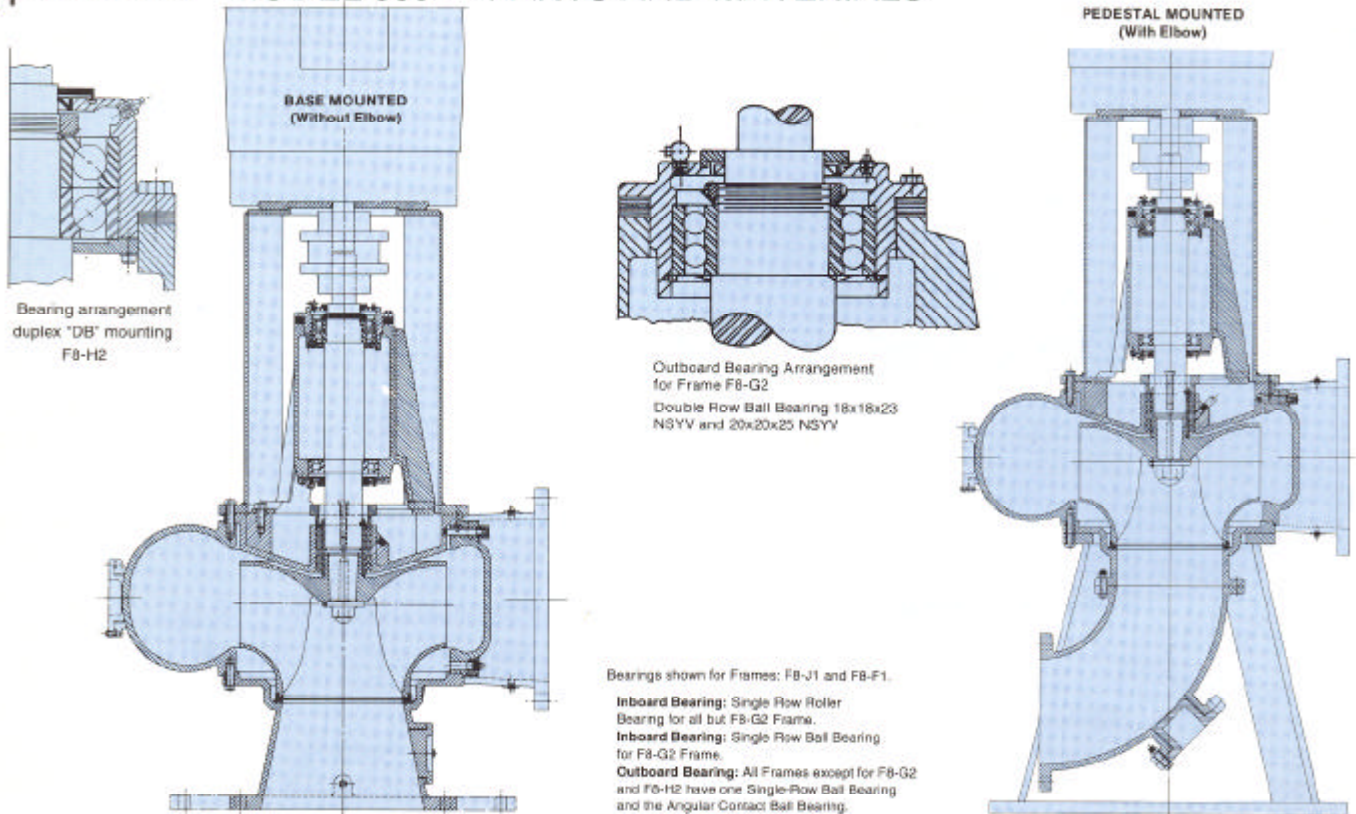
ITT A-C Pump Type NSYV are designed to handle wastewater and other non-corrosive liquids with soft solids in suspension. Typical applications are: municipal water and wastewater, industrial wastewater treatment and food processing.

Type NSYV MODEL 300 — RANGE CHARTS



If further information is required for speeds 505 rpm, 440 rpm or 390 rpm, contact your nearest ITT A-C Pump representative.

Type NSYV MODEL 300 — PARTS AND MATERIALS



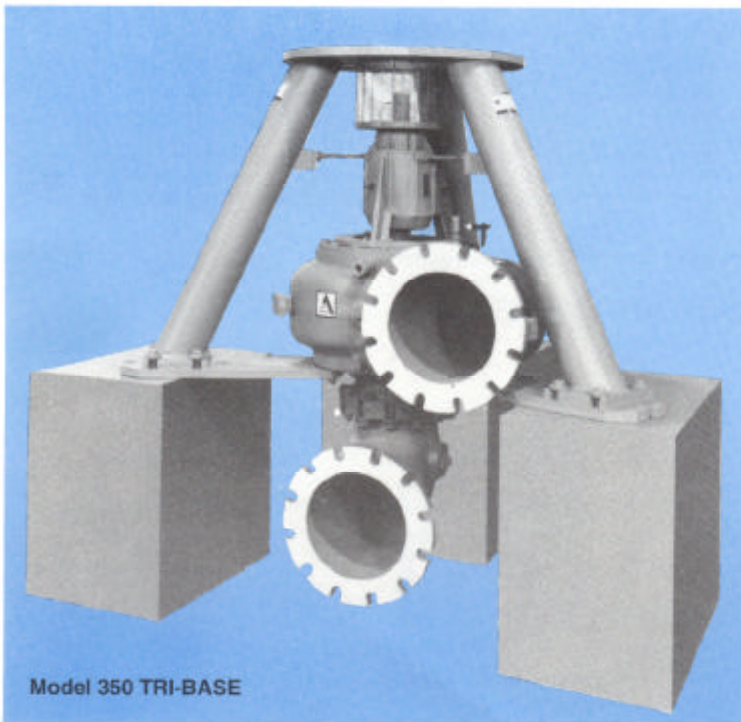


SOUTHERN PUMPS
SOUTH AFRICA (PTY) LTD

Wastewater Pumps

Vertical – Mixed Flow Type NSYV Model 350 TRI-BASE

Single stage – enclosed mixed flow type impeller for pumping wastewater and other non-corrosive liquids with soft solids.



Model 350 TRI-BASE

ITT A-C Pump Type NSYV TRI-BASE mounted pumps are designed to handle wastewater and other non-corrosive liquids with soft solids in suspension. Typical applications are: municipal water and wastewater, industrial wastewater treatment and food processing.

Type NSYV Model 350 TRI-BASE designs offer outstanding advantages:

- **Standardized Design** — Maximum interchangeability of parts help reduce spare parts inventory. All parts except the casing, suction cover and impeller are completely interchangeable within a given frame group. Seven pump sizes are built on only four power frames.
- **TRI-BASE** — Natural frequencies encountered with direct coupled, two vane impeller wastewater pumps for variable speed applications have been eliminated with the TRI-BASE support.

- **Rear Pull-out Design** — The complete rotating element can be removed from the pump without disturbing the suction or discharge piping. Fewer crafts are required to service the pumps.
- **Wear Ring** — A hardened AISI 410 stainless steel impeller wear ring is standard.
- **Wear Plate** — A hardened AISI 410 stainless steel suction cover wear plate is standard.
- **Tapered Shaft** — The impeller end of the shaft and the impeller bore are designed with a taper to allow for ease of maintenance.
- **Impeller Nut** — A contoured stainless steel nut is provided to prevent material from hanging up. The nut is secured by a steel set screw.
- **Flexibility** — Either clockwise or counterclockwise rotation can be supplied. Discharge nozzles can be arranged in any one of eight positions for either rotation to suit the piping arrangement.
- **Engineered for Dependability** — Two vane non-clog impellers with smooth water passages capable of passing soft solids.
- **Maximum Shaft and Bearing Life** — Large diameter shafts minimize deflection and increase packing life.

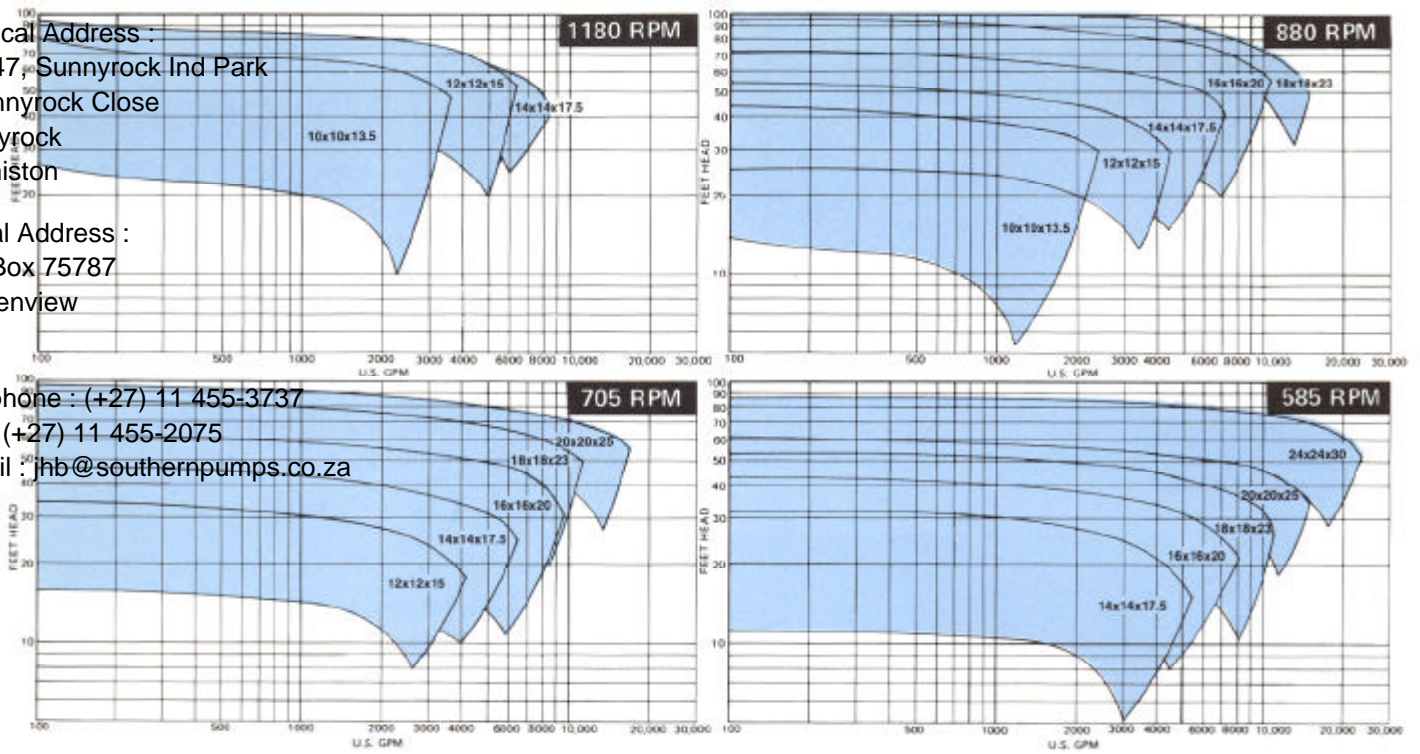
Bearings are selected in accordance with the Anti-Friction Bearing Manufacturers Association (AFBMA) to provide for maximum life expectancy.
- **Simple Impeller Adjustment** — Axial clearance between the impeller and suction cover is controlled by adding or removing shims between the outboard bearing cartridge and the frame.
- **High Operating Efficiency** — Standard with replaceable stainless steel impeller wear ring and suction cover wear plate.

Johannesburg Type NSYV MODEL 350 TRI-BASE – RANGE CHARTS

Physical Address :
 Unit 47, Sunnyrock Ind Park
 5 Sunnyrock Close
 Sunnyrock
 Germiston

Postal Address :
 P.O.Box 75787
 Gardenview
 2047

Telephone : (+27) 11 455-3737
 Fax : (+27) 11 455-2075
 E-mail : jhb@southernpumps.co.za



If further information is required for speeds 505 rpm, 440 rpm or 390 rpm, contact your nearest ITT A-C Pump representative.

Type NSYV MODEL 350 TRI-BASE – PARTS AND MATERIALS

