

C096 CIRCULATION PUMP FOR RAW WATER

A circulation pump designed for raw water - ideal for cooling hybrid and electric motors, as well as batteries. **Its full potential in the future of marine electrification is yet to be discovered!**

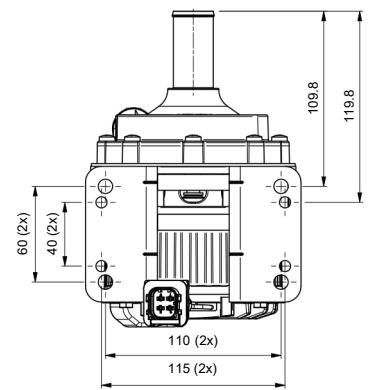
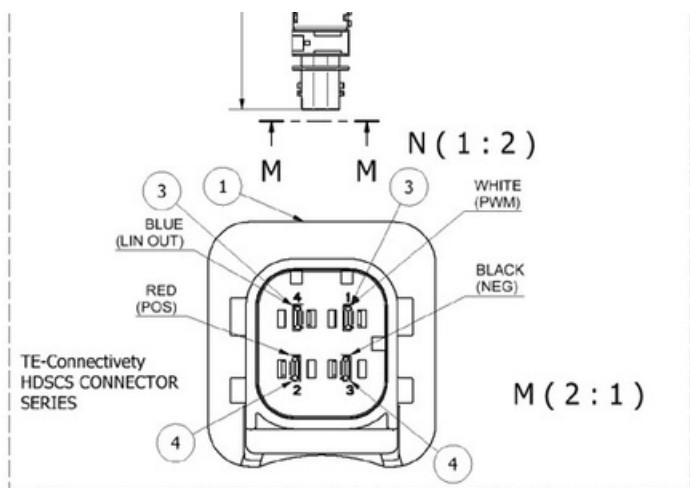
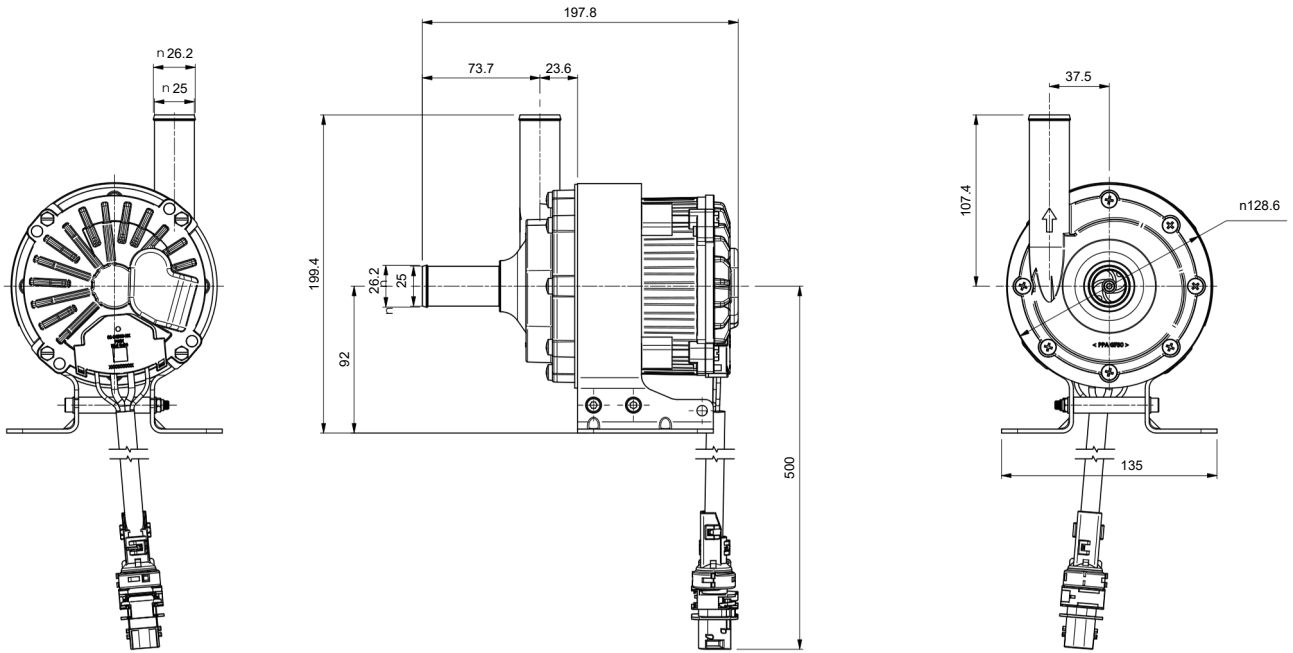
- Brushless DC Motor
- Voltage: Nominal 27.2 V DC (16 – 32V)
- 370W Motor
- 5000 RPM
- Designed for flooded suction
- 120 l/min / 31.7 GPM
- 55 l/min / 14.5 GPM at Duty Point 1.3 bar / 18.8 psi (with in:-0.3bar/-4.35psi and out:+1.0 bar / +14.5 psi)
- Ambient operational temperature: -40°C to +80°C / -40°F to +176°F
- Liquid operational temperature (water/glycol): -40°C to +60°C / -40°F to +140°F
- 25 mm / 1" connections for double hose clamps
- Mechanical drive and seal
- Heat dissipation plate of lead-free brass for heat transfer
- Stainless steel shaft (316)
- TE-Connectivity, HDSCS connector



PART NUMBER	DESCRIPTION
10-13656-02	C096P-1 27.2V CIRC. PUMP DIA25, PLASTIC
10-13656-03	C096B-1 27.2V CIRC. PUMP DIA25, BRASS

FEATURES	BENEFITS/ADVANTAGES
Brushless Motor	<ul style="list-style-type: none"> ▪ Potted electronics (electronics submerged in compound) ▪ Conformal coating on electric components ▪ PWM / LIN Bus
Developed for Raw Water	<ul style="list-style-type: none"> ▪ Pump housing in two different materials (Brass or Plastic) ▪ Impeller made of plastic to be able to withstand raw water ▪ Stainless steel shaft for longer service life and reliability ▪ Handles particles of raw water up to 3 mm / 0.12"
Planned test and certificate program	<ul style="list-style-type: none"> ▪ IP6K9K and IP67 ▪ EMC R10 Rev. 5 (Electromagnetic Compatibility, Reduce potential interference to other equipment) ▪ ISO 14982 ▪ Flammability, meet requirement according to UL94 Class V0 ▪ CE marked ▪ RoHS and REACH compliant

C096 Circulation Pump for Raw Water



Connector Part List

ITEM	QTY	DESCRIPTION
1	1	Housing Group B Gray
2	1	Back Shell Variable Fixing
3	2	Contact Wire Ø1-2.5 mm/0.1", Insulation ØMax 3 mm/0.12"
4	2	Contact Wire Ø2-5.4 mm/0.2", Insulation ØMax 3.7 mm/0.15"

